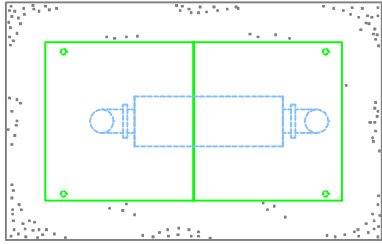
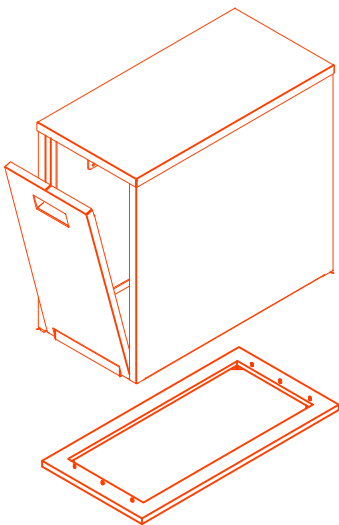


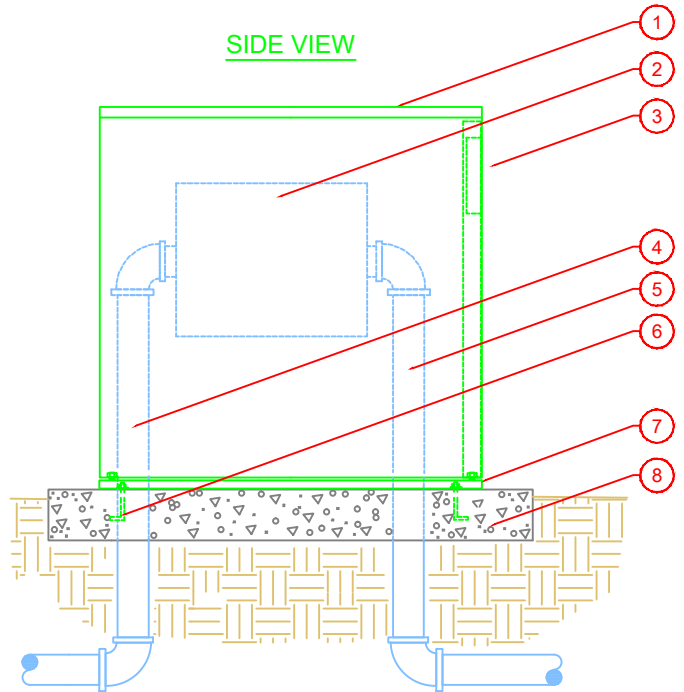
STRONGBOX  
ALUMINUM LOW PROFILE



TOP VIEW



ISO VIEW



SIDE VIEW

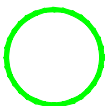
BACKFLOW ANCHOR BASE.

MOUNTING BASE SECURED IN CONCRETE WITH  
 $\frac{3}{8}$ " J BOLTS (4 PLACES).

EXISTING CONCRETE CORNERS WILL NEED TO  
 $\frac{3}{8}$ " x 3" REDHEAD ANCHORS.

LEGEND

- |   |  |
|---|--|
| 1. ALUMINUM BACKFLOW ENCLOSURE.           | 6. 3/8" "L" STYLE ANCHOR BOLTS.  |
| 2. BACKFLOW PREVENTER.                    | 7. ANCHOR PLATE MOUNTING.  |
| 3. HINGED DROP DOWN DOOR, PADLOCK AT TOP. | 8. POURED CONCRETE BASE - 6"<br>MIN. THICKNESS - EXTEND 4"<br>BEYOND OUTSIDE DIMENSIONS OF<br>ENCLOSURE. |
| 4. WATER SERVICE INLET PIPING.            |  |
| 5. WATER SERVICE OUTLET PIPING.           |  |



ALUMINUM BACKFLOW ENCLOSURE LOW PROFILE

N.T.S

SBBC-xxAL