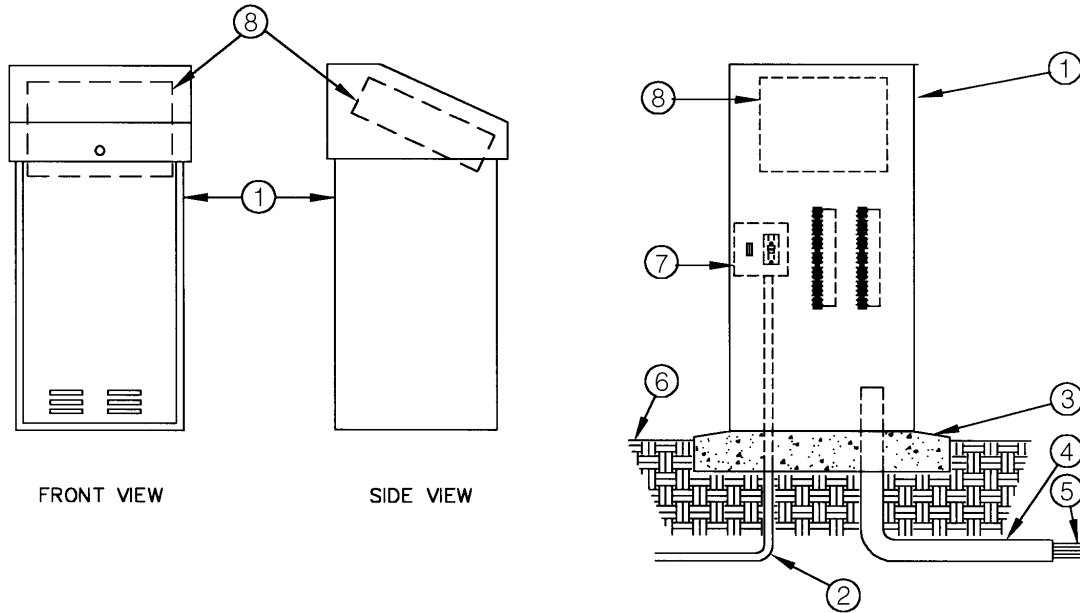


Top Entry Enclosure

Models: SB-16SS, SB-22SS

INSTALLATION DETAILS



1. Controller enclosure
2. 120 volt service in conduit
3. Poured concrete base—6" min. thickness—extend concrete 6" beyond outside dimensions of enclosure with 1/2% slope for drainage
4. PVC long sweep ell—size as required
5. Direct burial control wires to control valves
6. Finish grade
7. Controller sub-assembly (CSA) includes GFI & terminal strips with placards
8. Automatic controller

SPECIFICATIONS

The enclosure shall be of a vandal and weather resistant nature manufactured entirely of stainless steel. The main housing door shall be louvered at the bottom and equipped with a tear drop shaped, hollow center thermoplastic door seal. The entry lid shall be louvered on the back side to allow for cross flow ventilation. Filter screens shall cover all louvers to deflect against water spray, insects and dust. The top entry lid shall be assisted by two gas

springs for easy access. The edge of the lid shall be hemmed to eliminate any sharp edges. The top entry lid shall have a continuous stainless steel piano hinge, carriage bolted on the rear, and a three point locking mechanism on the front. A stainless steel cam style lock shall be mounted in the lid and a provision for a padlock shall be included within the locking mechanism. A removable stainless steel tray shall be provided for the purpose of mounting electronics

and various other types of equipment. A removable stainless steel backboard shall be provided in the lower body and mounted on four stainless steel bolts. The inside door area shall provide adequate storage for plans, operating instructions, and scheduling information. The above described product shall be a NEMA TYPE 3R Rainproof Enclosure as listed by Underwriter Laboratories, Inc.